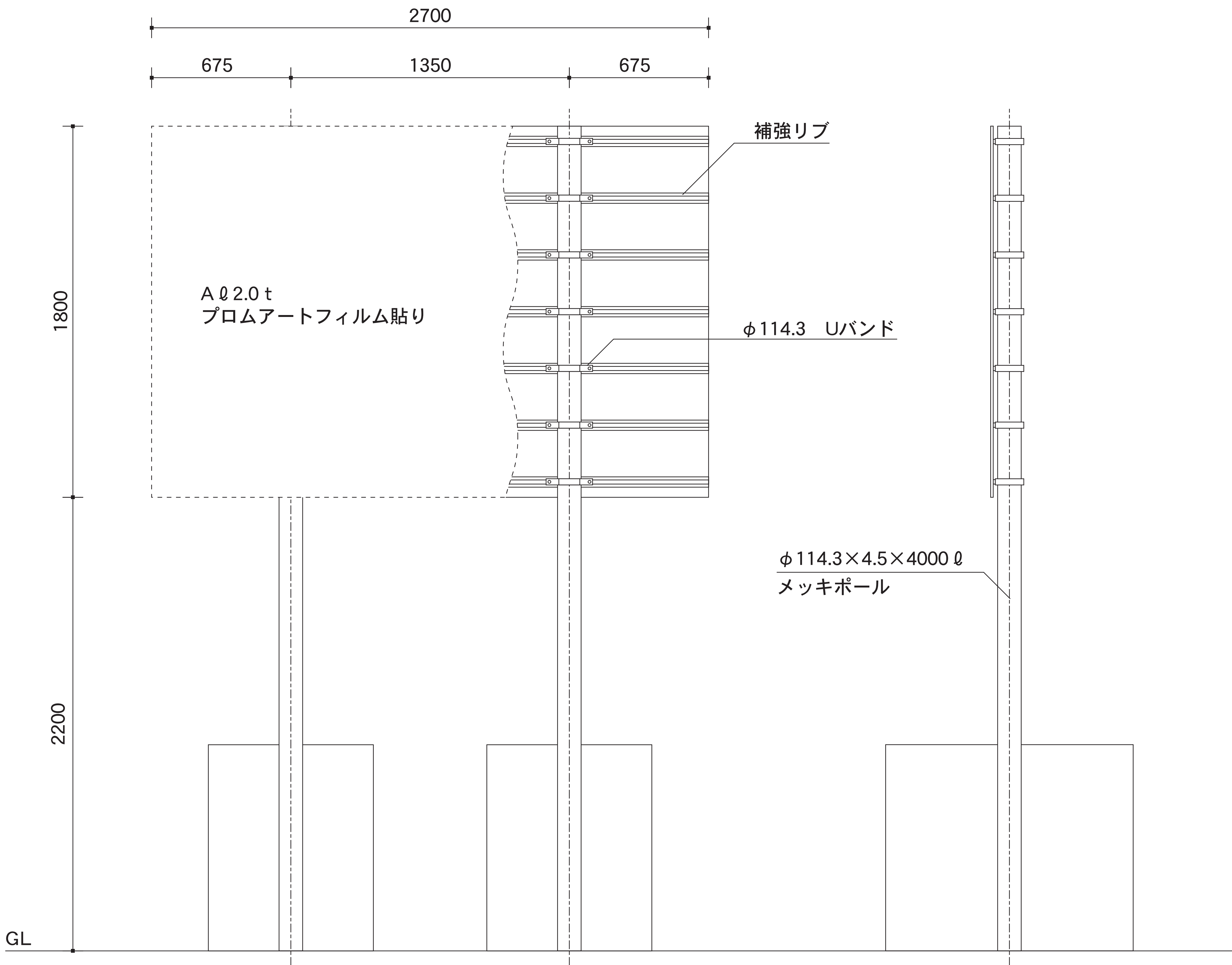
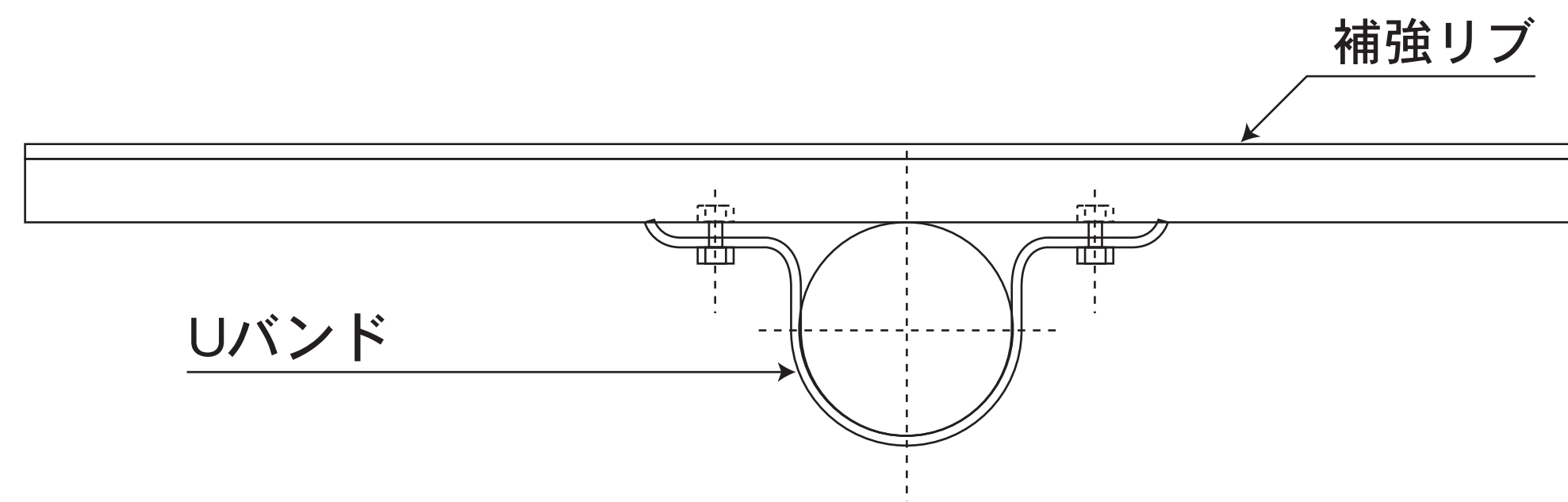


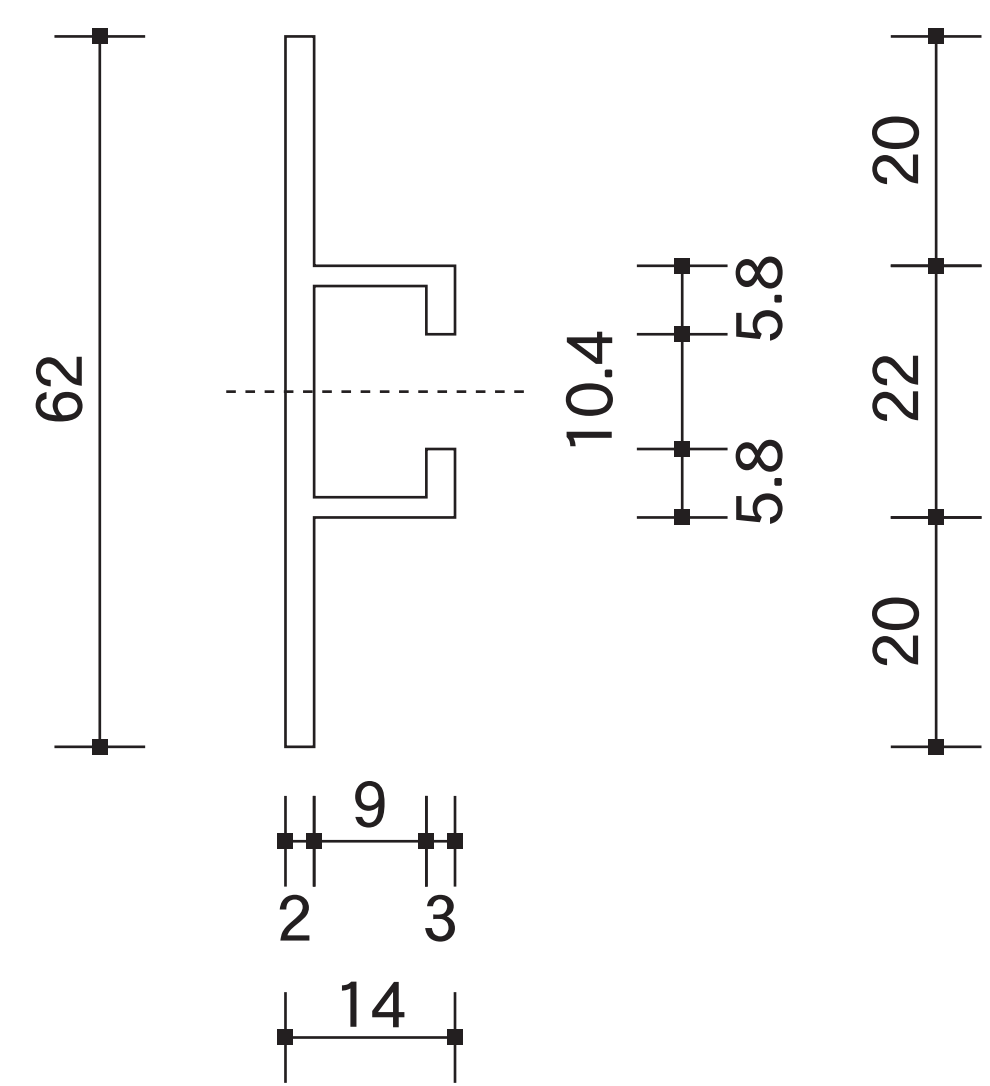
DATE	来歴

正面図 (裏面図)

側面図

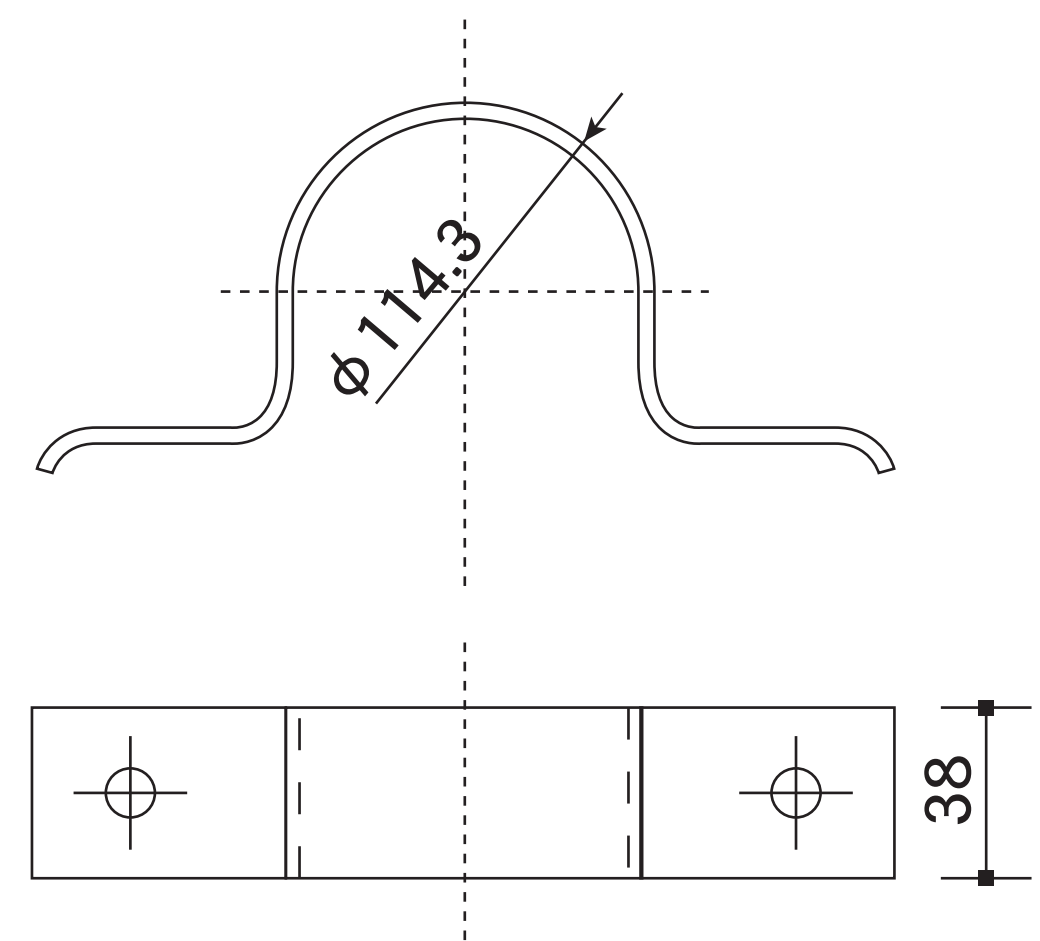


補強リブ(OKK6)断面図



取付金具

溶融亜鉛メッキ仕上げ



	ORDER No.	MANAGER		
	WORK No.	CHECKED BY		
	QUANTITY	DESIGNED BY		
	WEIGHT	DRAWN BY		
	LEAF No.	DRAWING No.		SCALE
決定図	承認図	訂正図()	参考図	

KAWAGURE Prom-art