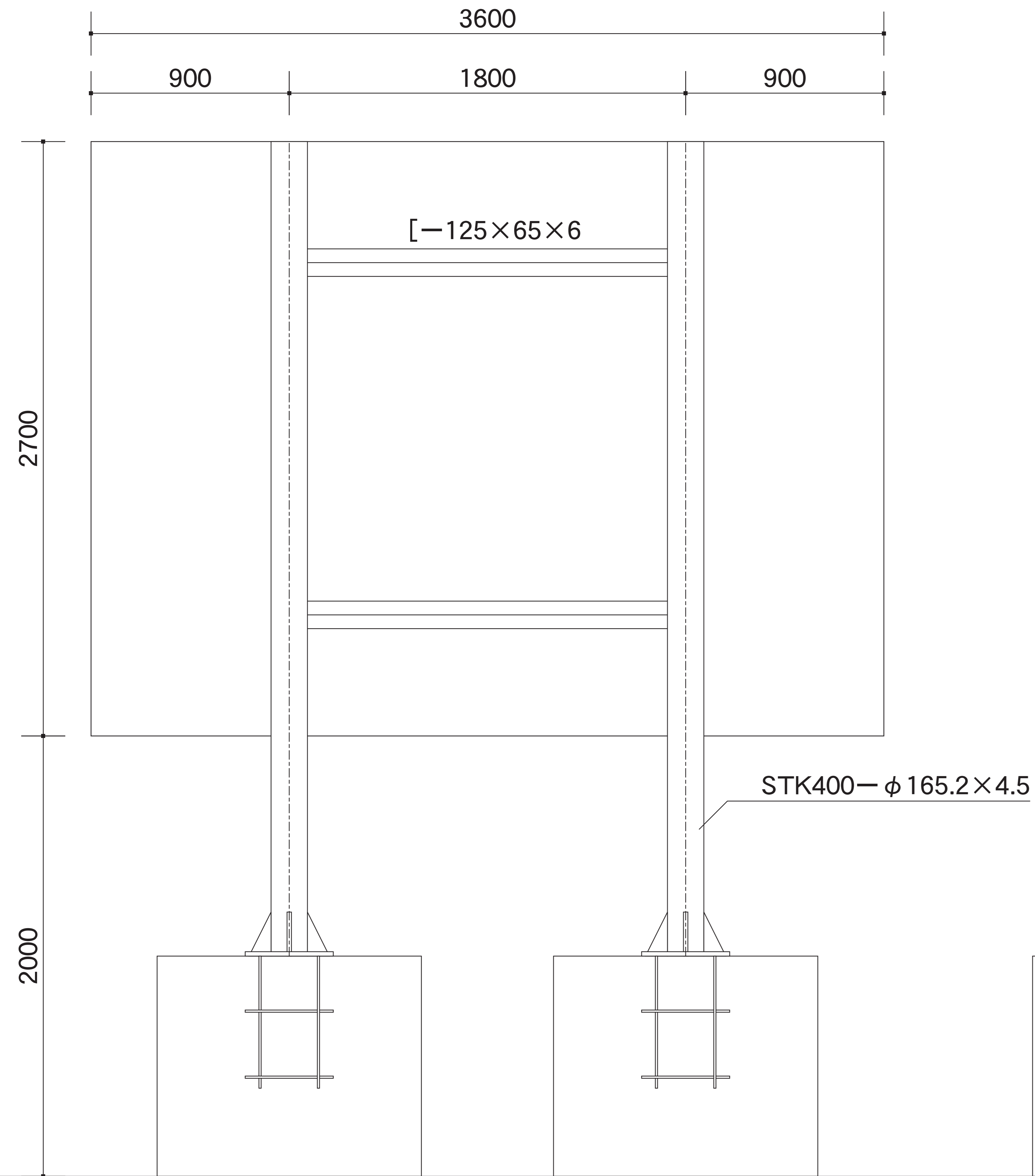
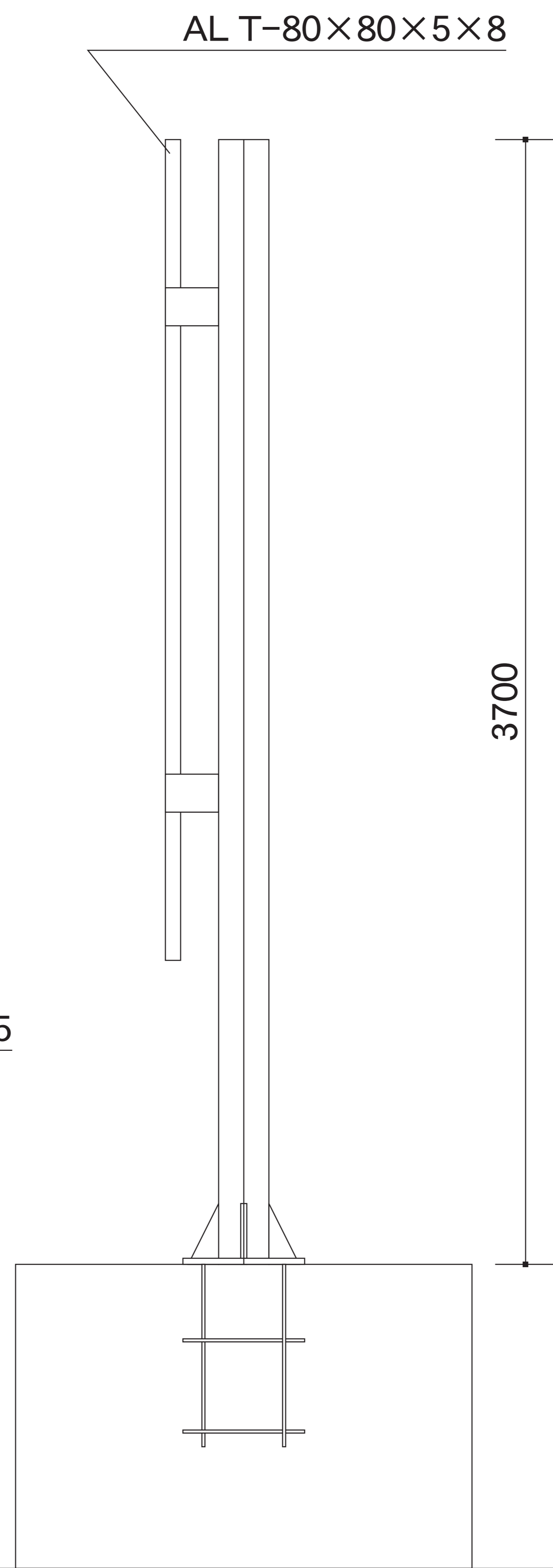


| | |
|------|----|
| DATE | 来歴 |
| | |

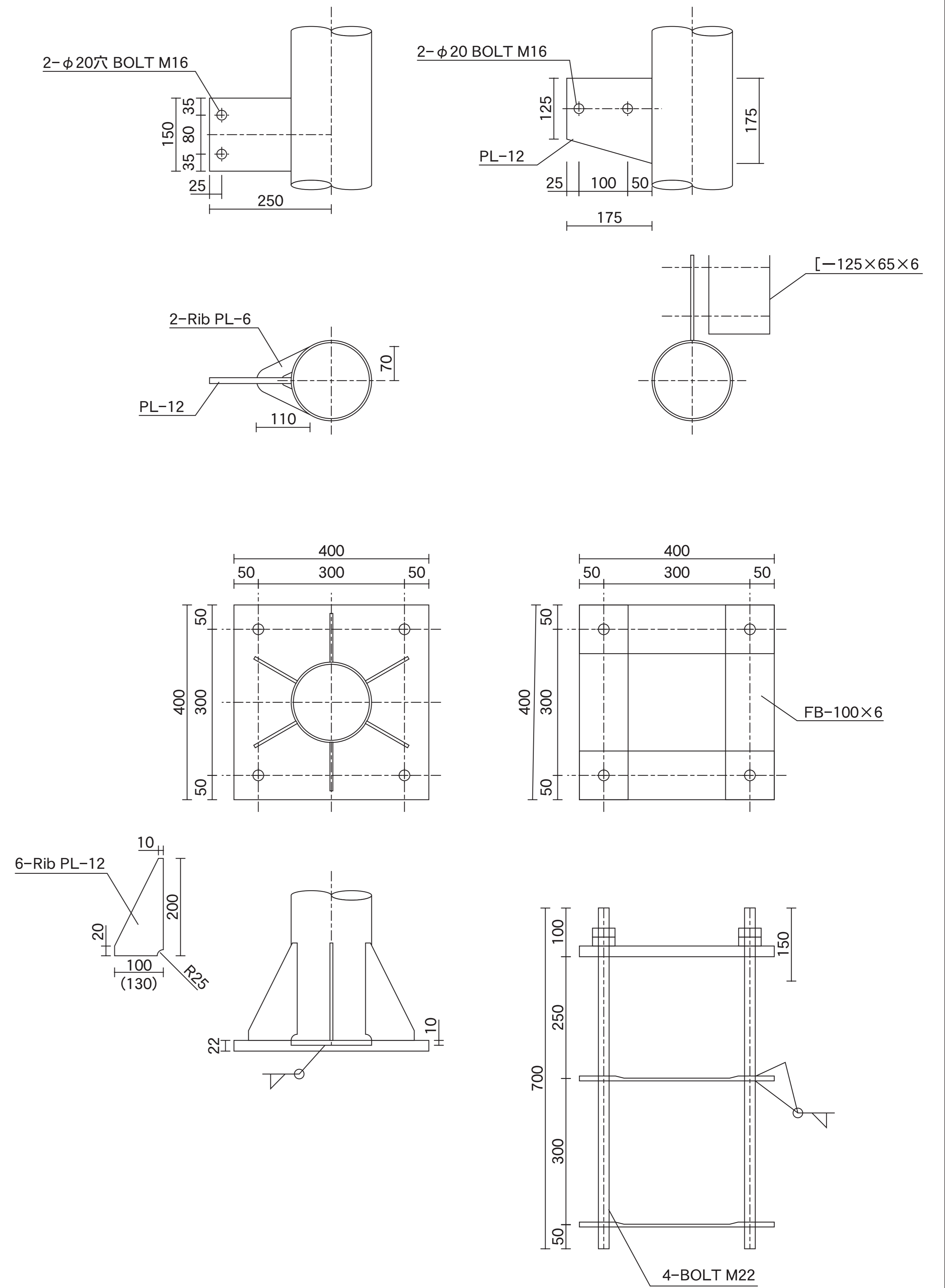
正面図 (裏面図)



側面図



柱脚部詳細図



GL

| | | | |
|-------------------|-----------|-------------|-------|
| | ORDER No. | MANAGER | |
| | WORK No. | CHECKED BY | |
| | QUANTITY | DESIGNED BY | |
| | WEIGHT | DRAWN BY | |
| | LEAF No. | DRAWING No. | SCALE |
| 決定図 | 承認図 | 訂正図() | 参考図 |
| KAWAGURE Prom-art | | | |